

EVoline[®] Plug / PlugFix



EVoline® Plug / PlugFix

Extremely flat. Fits behind every cupboard. Prevents tripping hazards.

The extra-flat EVoline Plug easily fits behind every piece of furniture. Its intelligent hinge mechanism turns the grip into a lever - this way the plug can be removed from the socket without the use of force. Even if the cable is jerked, the plug is released without damage.

The EVoline Plug has won numerous awards for its smart ergonomics and minimalist design.



Only with the EVOLine Plug:

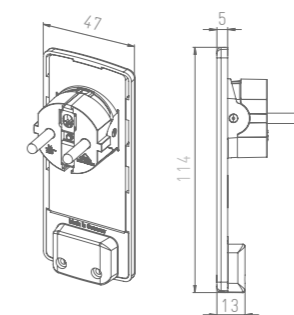
Mobile plug mating face for easy operation and prevention of tripping hazards

PlugFix

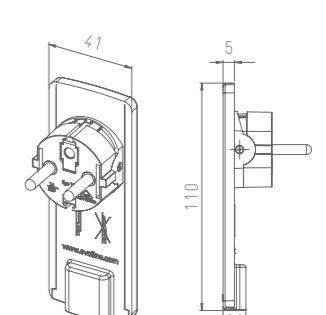
With installed cable and coupling or multiple socket.

Only 5 mm

housing depth



EVOLine® Plug



EVOLine® PlugFix



reddot design award
winner 2011



Ausgezeichnet with der
IENA Goldmedaille



EVOLine®

Schulte Elektrotechnik GmbH & Co. KG

Jüngerstraße 21
D-58515 Lüdenscheid

phone +49 23 51 / 94 81-0
fax +49 23 51 / 4 26 58

mail info@schulte.com
internet www.evoline.com

