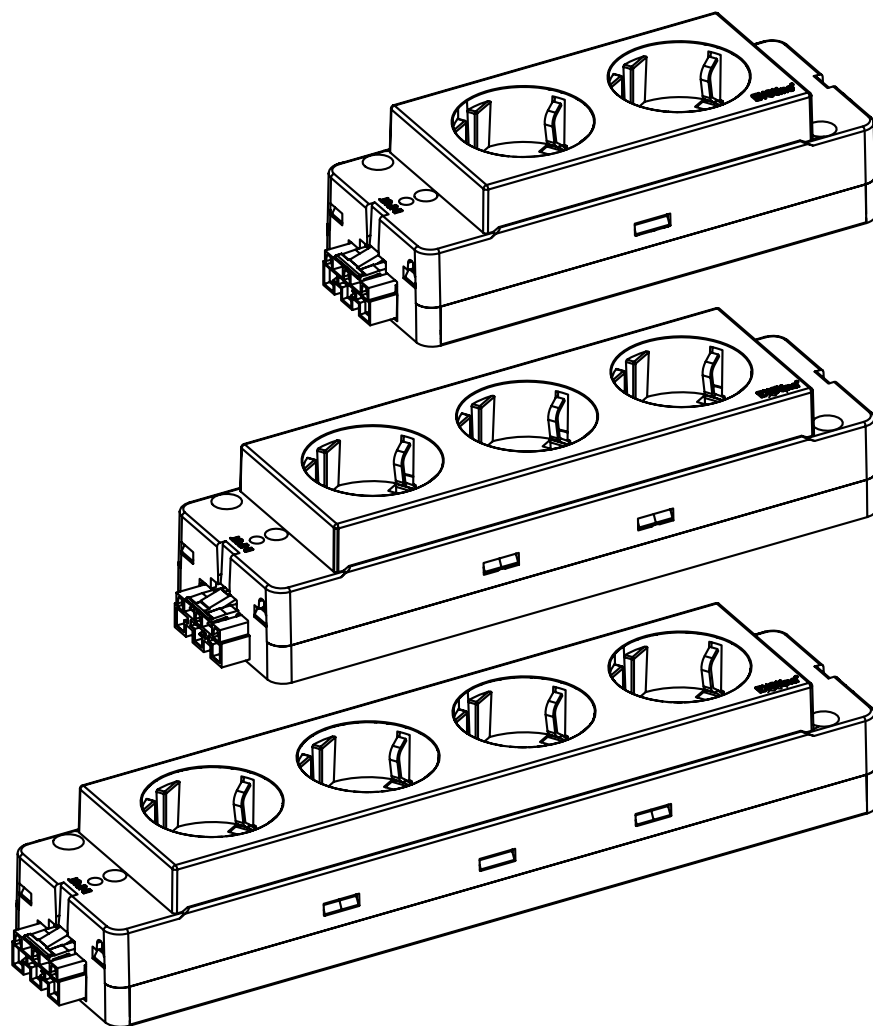


# EVoline<sup>®</sup> Express Typ 910

Data Sheet



# EVoline® Express Type 910

## Application Area

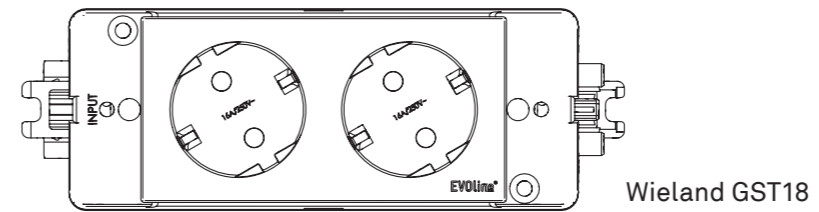
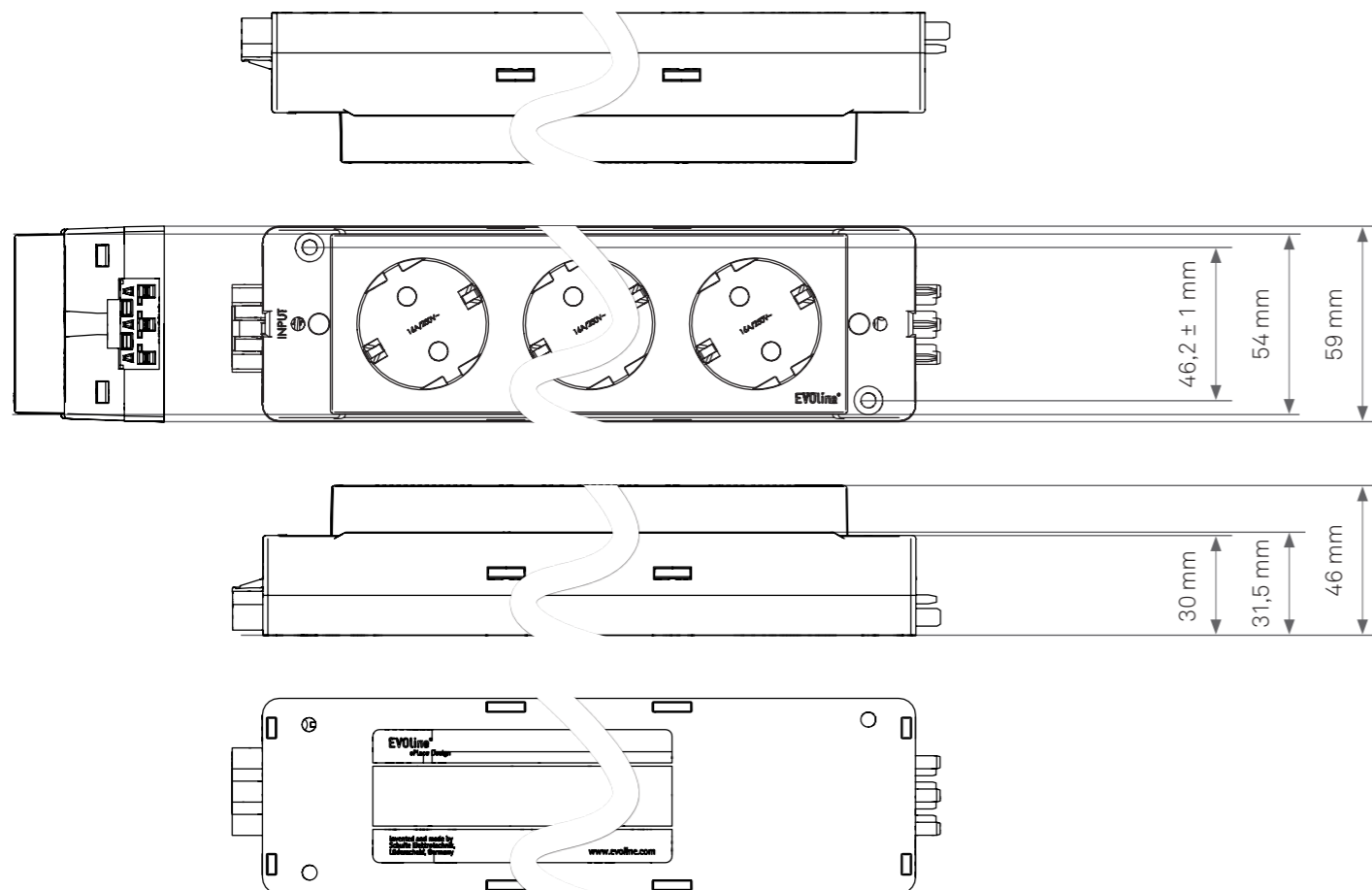
EVoline Express Type 910 is a cascable socket board for use in workplaces. Fixing holes are provided for a stationary installation.

## Technical Data

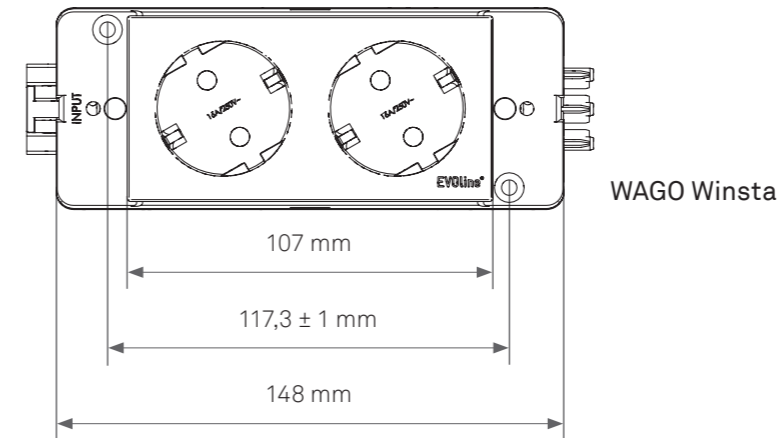
<b>Material</b>	<ul style="list-style-type: none"> <li>■ Housing: Non-halogen plastics, self-extinguishing, flame retardant</li> <li>■ Copper contact rails</li> </ul>
<b>Dimensions</b>	Width × Height: 46 mm × 59 mm (Length: see detail drawings)
<b>Connectors</b> In- / Out	<ul style="list-style-type: none"> <li>■ WAGO WINSTA® MIDI</li> <li>■ Wieland GST18</li> </ul>
<b>Protection Class</b>	I
<b>Protective System</b>	IP 20
<b>Certification</b>	<ul style="list-style-type: none"> <li>■ DIN VDE 0620-2-1</li> <li>■ IEC 60695-2-11</li> </ul>

## Dimensions Express Type 910

Width / Height

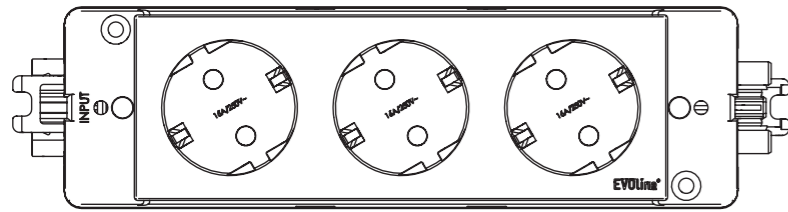


Wieland GST18

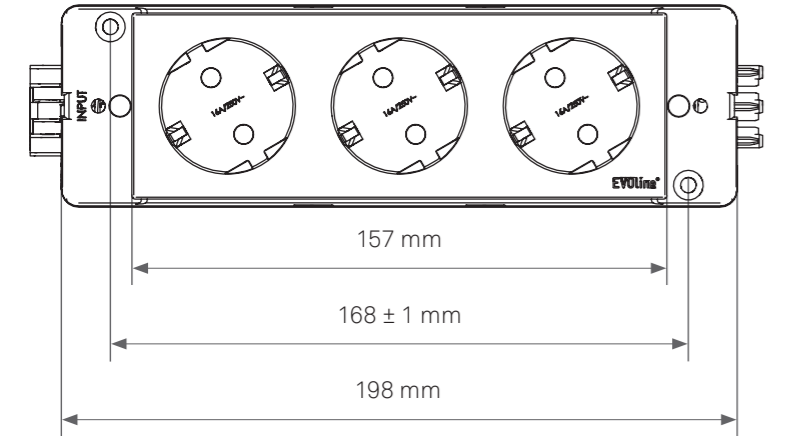


WAGO Winsta

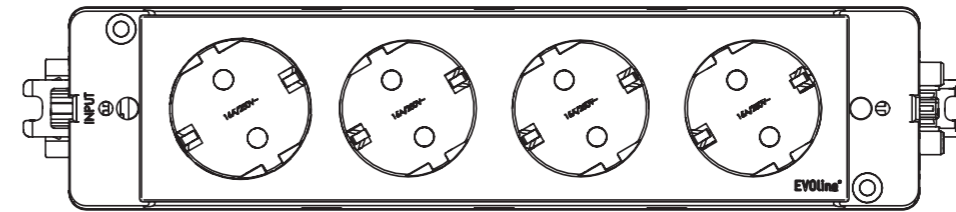
	Socket	VDE Type F	CH 10A Type T13	B/F Type E	DK Type K	GB Typ G
<b>Housing Colour</b>						
<i>Wieland GST18</i>						
<i>without contact protection</i>						
black		1591 0200 0100	1591 0203 0100	1591 0201 0100		
red		1591 0200 0120	1591 0203 0120	1591 0201 0120		
white		1591 0200 0140				
<i>Wieland GST18</i>						
<i>Contact protected</i>						
black		1591 0200 0110			1591 0204 0110	1591 0206 0110
red		1591 0200 0130				
white						
<i>WAGO WINSTA</i>						
<i>without contact protection</i>						
black		1591 0200 0200	1591 0203 0200	1591 0201 0200		
red		1591 0200 0220	1591 0203 0220	1591 0201 0220		
white		1591 0200 0240				
<i>WAGO WINSTA</i>						
<i>Contact protected</i>						
black		1591 0200 0210				
red		1591 0200 0230				
white		1591 0200 0250				
<b>Rated Voltage</b>		230 V <sub>AC</sub>	230 V <sub>AC</sub>	230 V <sub>AC</sub>	230 V <sub>AC</sub>	250 V <sub>AC</sub>
<b>Rated Current</b>		16 A	10 A	16 A	13 A	13 A
<b>max. Connection Power</b>		3600 W	2300 W	3600 W	2990 W	3250 W



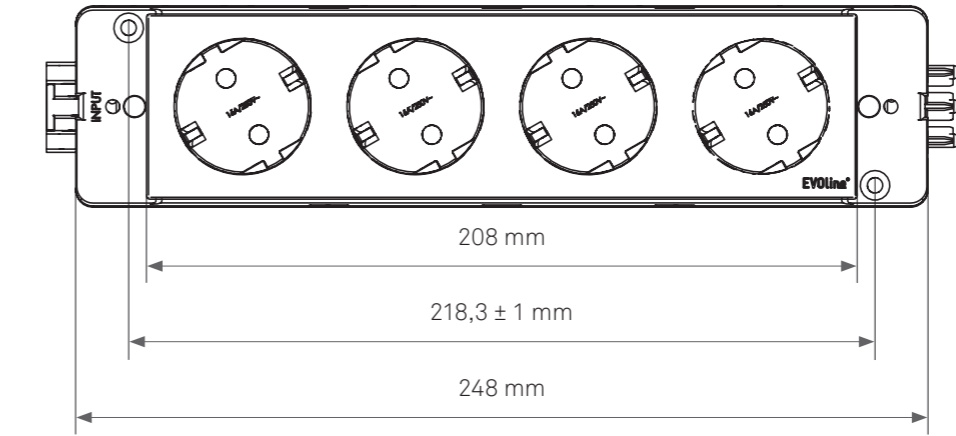
Wieland GST18



WAGO Winsta



Wieland GST18



WAGO Winsta

	Socket	VDE Type F	CH 10A Type T13	B/F Type E	DK Type K	GB Typ G
--	--------	---------------	--------------------	---------------	--------------	-------------

**Wieland GST18**

*without contact protection*

black		1591 0300 0100	1591 0303 0100	1591 0301 0100		
red		1591 0300 0120	1591 0303 0120	1591 0301 0120		
white		1591 0300 0140	1591 0300 0140			

**Wieland GST18**

*Contact protected*

black		1591 0300 0110			1591 0304 0110	1591 0306 0110
red		1591 0300 0130				
white						

**WAGO WINSTA**

*without contact protection*

black		1591 0300 0200	1591 0303 0200	1591 0301 0200		
red		1591 0300 0220	1591 0303 0220	1591 0301 0220		
white						

**WAGO WINSTA**

*Contact protected*

black		1591 0300 0210				
red		1591 0300 0230				
white		1591 0300 0250				

Rated Voltage		230 V <sub>AC</sub>	230 V <sub>AC</sub>	230 V <sub>AC</sub>	230 V <sub>AC</sub>	250 V <sub>AC</sub>
Rated Current		16 A	10 A	16 A	13 A	13 A
max. Connection Power		3600 W	2300 W	3600 W	2990 W	3250 W

	Socket	VDE Type F	CH 10A Type T13	B/F Type E	DK Type K	GB Typ G
--	--------	---------------	--------------------	---------------	--------------	-------------

**Wieland GST18**

*without contact protection*

black		1591 0400 0100	1591 0403 0100	1591 0401 0100		
red		1591 0400 0120	1591 0403 0120	1591 0401 0120		
white						

**Wieland GST18**

*Contact protected*

black		1591 0400 0110			1591 0404 0110	1591 0406 0110
red		1591 0400 0130				
white						

**WAGO WINSTA**

*without contact protection*

black		1591 0400 0200	1591 0403 0200	1591 0401 0200		
red		1591 0400 0220	1591 0403 0220	1591 0401 0220		
white						

**WAGO WINSTA**

*Contact protected*

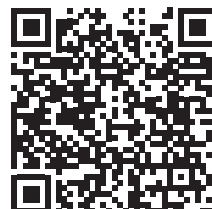
black		1591 0400 0210				
red						
white						

Rated Voltage		230 V <sub>AC</sub>	230 V <sub>AC</sub>	230 V <sub>AC</sub>	230 V <sub>AC</sub>	250 V <sub>AC</sub>
Rated Current		16 A	10 A	16 A	13 A	13 A
max. Connection Power		3600 W	2300 W	3600 W	2990 W	3250 W

## Schulte Elektrotechnik GmbH & Co KG

Jüngerstraße 21  
58515 Lüdenscheid

Telefon +49 23 51 / 94 81 - 0  
Fax +49 23 51 / 4 26 58  
e-mail [info@schulte.com](mailto:info@schulte.com)  
Internet [www.evoline.com](http://www.evoline.com)



Stand 11/2020

Technische  
Änderungen  
vorbehalten

DB 6040171000